

**Seat and Back**

Available in 11 poly colors. Injection molded pure virgin polypropylene seat and back. Back is 15mm at thickest point, perforated and contoured for comfort; back has 2 poly 97mm x 64mm x 8mm inserts that slot into steel frame & secured with 4 steel screws. Seat is 13mm thick; seat is applied to frame with 4 metal inserts on seat bolted to the steel frame. Polypropylene is textured. Stacks 15 high with and without arms.

**Optional Upholstery**

Foam is .5" thick, 1.8# with a 60ILD density. Foam is attached to polypropylene seat then upholstered over and stapled to seat. Nylon cover is applied to hide all staples and upholstery underneath seat. Upholstered seat is secured to frame with metal inserts and steel bolts.

**Frames**

Legs are 12-gauge (15mm x 30mm) oval tubed steel. Cross braces are 16-gauge .75" round tubed steel and welded to legs using CO2 welding joints. Frame is secured to shell with 4 bolts that fasten into metal inserts on polypropylene seat. Frame has polypropylene ganging device built in & inserts for arms.

**Frame Finishes**

Frames are available in semi-gloss silver or textured black powder-coat using baked on electrostatic process. Powder-coat is VOC free. (No Volatile Organic Compounds)

**Glides**

Non-marring nylon are 20mm x 42mm oval in black. Glides are secured into tubed frame with 21mm insert. Glides have concave stacking grooves to provide a uniform fit when stacking. Optional felt tip glides available.

**Arms**

Arms have 12-gauge 15mm x 30mm oval tubed steel that's flared outward to provide a 22" distance between right and left arms and allow for stacking. Arm is 26.5" from floor; 8.5" from seat. Arm cap is cushioned polyurethane contoured pad (11"D x 2"W x 1"H). Arm is secured into frame with two 10mm round solid steel rods and tightened with Allen key bolt.



### **Sustainability**

All Kool products are Indoor Air Quality Gold Certified through Intertek. See full sustainability story at <https://www.kfistudios.com/Literature/Environmental>

### **Polypropylene**

5-10% Pre-Consumer Recycled Content.

### **Frames**

10% Pre-Consumer Recycled Content. VOC free powder-coating process.

### **Foam**

100% Recyclable. CertiPUR-US certified - no ozone depleters, no mercury, lead, formaldehyde or phthalates. Low VOC (Volatile Organic compound) emissions for indoor air quality.

### **Glides/Casters**

5-10% Pre-Consumer Recycled Content.

### **Hardware**

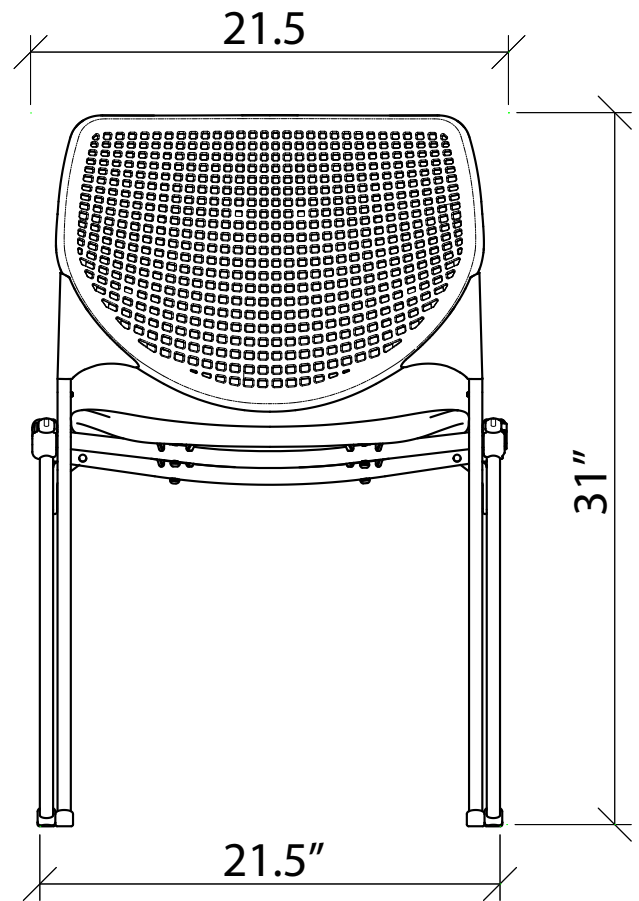
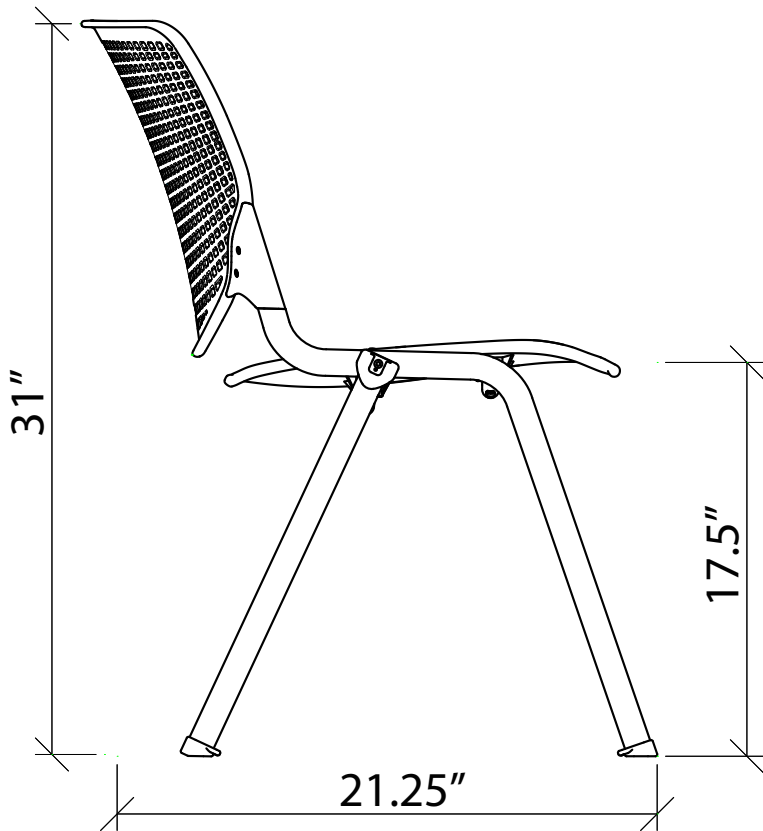
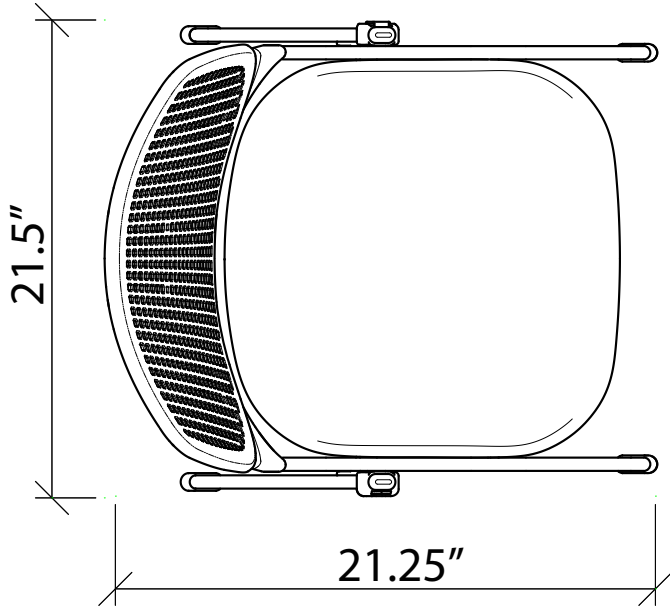
10% Pre-Consumer Recycled Content.

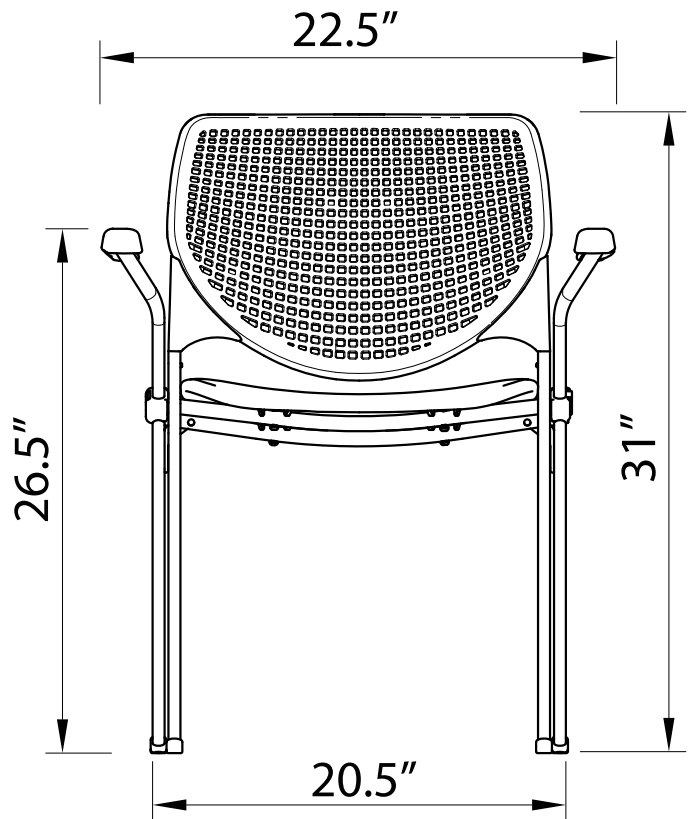
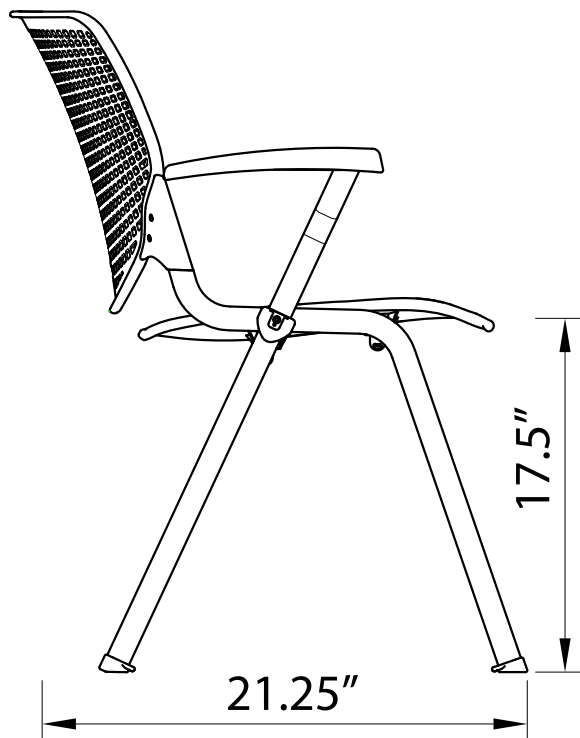
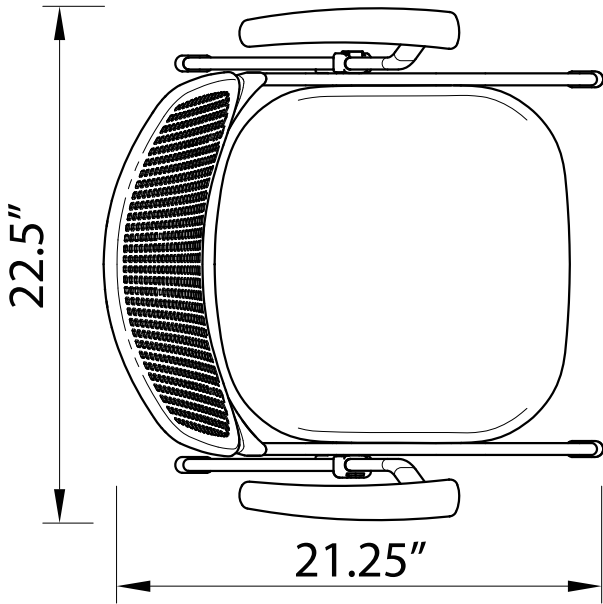
### **Carton/Packaging**

20% Pre-Consumer Recycled Content.

### **Weight Ratings**

ANSI-BIFMA up to 400 lbs.







P-Tablet



Anti-Panic Tablet  
and Bookrack  
(shown on CS2300)

**P-Tablet**

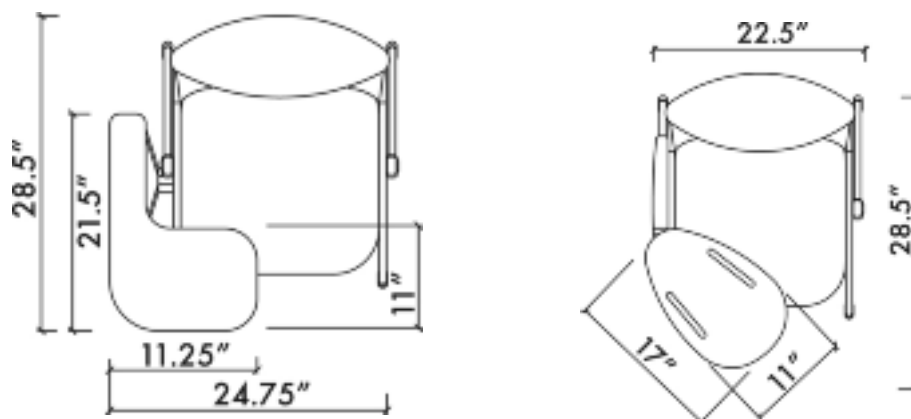
Available in right or left. Tablet is (14"W x 21.5D" x .75"H) total; writing surface is 14" x 11". Tablet has an MDF core and black textured melamine surface. Tablet is secured to V-shaped arm with two 12-gauge steel, .75" black round tubed steel. Arm is attached to underneath of seat using 5mm thick steel plates with 4 bolts. Arm allows tablet to flip up for stacking and easy access in and out. Easy assembly with allen key.

**Anti-Panic Tablet**

Available in right or left. Tablet is (17"D x 11"W x .6"H) oval shape. Tablet has an MDF core and black melamine textured surface. Tablet is secured to 2.5" x 1" x .27" oval hinged brace. Brace is secured to 12-gauge black steel oval tube arm. Arm is secured into frame with two 10mm round solid steel rods and tightened with allen key bolt. Hinged mechanism allows tablet to easily move out and down to the side in case of emergency. Anti-Panic Tablet chairs do not stack.

**Bookrack**

Made of 7mm solid steel tube in black. Bookrack easily clips underneath to the steel frame with metal inserts. 16.6"W x 12"D for storage. Rack hangs 6.5" from bottom of seat pan. Easily installed or removed with no tools.





### Seat and Back

Available in 11 poly colors. Injection molded pure virgin polypropylene seat and back. Back is 15mm at thickest point, perforated and contoured for comfort; back has 2 poly 97mm x 64mm x 8mm inserts that slot into steel frame & secured with 4 steel screws. Seat is 13mm thick; seat is applied to frame with 4 metal inserts on seat bolted to the steel frame. Polypropylene is textured. Stacks 15 high with and without arms.

### Optional Upholstery

Foam is .5" thick, 1.8# with a 60ILD density. Foam is attached to polypropylene seat then upholstered over and stapled to seat. Nylon cover is applied to hide all staples and upholstery underneath seat. Upholstered seat is secured to frame with metal inserts and steel bolts.

### Frames

Legs are 12-gauge (15mm x 30mm) oval tubed steel. Cross braces are 16-gauge .75" round tubed steel and welded to legs using CO2 welding joints. Frame is secured to shell with 4 bolts that fasten into metal inserts on polypropylene seat. Frame has polypropylene ganging device built in & inserts for arms.

### Frame Finishes

Frames are available in semi-gloss silver or textured black powder-coat using baked on electrostatic process. Powder-coat is VOC free. (No Volatile Organic Compounds)

### Casters

2" dual wheel hooded nylon casters are standard. Polyurethane soft casters available in black.

### Arms

Arms have 12-gauge 15mm x 30mm oval tubed steel that's flared outward to provide a 22" distance between right and left arms and allow for stacking. Arm is 26.5" from floor; 8.5" from seat. Arm cap is cushioned polyurethane contoured pad (11"D x 2"W x 1"H). Arm is secured into frame with two 10mm round solid steel rods and tightened with Allen key bolt.



### **Sustainability**

All Kool products are Indoor Air Quality Gold Certified through Intertek. See full sustainability story at <https://www.kfistudios.com/Literature/Environmental>

### **Polypropylene**

5-10% Pre-Consumer Recycled Content.

### **Frames**

10% Pre-Consumer Recycled Content. VOC free powder-coating process.

### **Foam**

100% Recyclable. CertiPUR-US certified - no ozone depleters, no mercury, lead, formaldehyde or phthalates. Low VOC (Volatile Organic compound) emissions for indoor air quality.

### **Glides/Casters**

5-10% Pre-Consumer Recycled Content.

### **Hardware**

10% Pre-Consumer Recycled Content.

### **Carton/Packaging**

20% Pre-Consumer Recycled Content.

### **Weight Ratings**

ANSI-BIFMA up to 300 lbs.



P-Tablet

Anti-Panic Tablet  
and Bookrack**P-Tablet**

Available in right or left. Tablet is (14"W x 21.5"D x .75"H) total; writing surface is 14" x 11". Tablet has an MDF core and black textured melamine surface. Tablet is secured to V-shaped arm with two 12-gauge steel, .75" black round tubed steel. Arm is attached to underneath of seat using 5mm thick steel plates with 4 bolts. Arm allows tablet to flip up for stacking and easy access in and out. Easy assembly with allen key.

**Anti-Panic Tablet**

Available in right or left. Tablet is (17"D x 11"W x .6"H) oval shape. Tablet has an MDF core and black melamine textured surface. Tablet is secured to 2.5" x 1" x .27" oval hinged brace. Brace is secured to 12-gauge black steel oval tube arm. Arm is secured into frame with two 10mm round solid steel rods and tightened with allen key bolt. Hinged mechanism allows tablet to easily move out and down to the side in case of emergency. Anti-Panic Tablet chairs do not stack.

**Bookrack**

Made of 7mm solid steel tube in black. Bookrack easily clips underneath to the steel frame with metal inserts. 16.6"W x 12"D for storage. Rack hangs 6.5" from bottom of seat pan. Easily installed or removed with no tools.

**Universal Dolly**

Dolly is constructed of 3mm steel frame and powder-coated in black. (4) nylon 2" swivel casters, two with locking mechanism. Outer dimensions: 22.75" D x 22.75" W x 3.5" H. Stacks 15 high on Dolly.

**Truck Dolly**

Hand hold for easy mobility with (2) 8" x 2.25" rubber wheels, Total dimensions 26" W x 53" H x 15"D. 22" W x 3" D plate for back legs to rest securely on dolly when leaning back. 16 gauge steel inblack.

**Seat and Back**

Available in 11 poly colors. Injection molded pure virgin polypropylene seat and back. Back is 15mm at thickest point, perforated and contoured for comfort; back has 2 poly 97mm x 64mm x 8mm inserts that slot into steel frame & secured with 4 steel screws. Seat is 13mm thick; seat is applied to frame with 4 metal inserts on seat bolted to the steel frame. Polypropylene is textured. Stacks 15 high with and without arms.

**Optional Upholstery**

Foam is .5" thick, 1.8# with a 60ILD density. Foam is attached to polypropylene seat then upholstered over and stapled to seat. Nylon cover is applied to hide all staples and upholstery underneath seat. Upholstered seat is secured to frame with metal inserts and steel bolts.

**Frames**

Legs are 12-gauge (15mm x 30mm) oval tubed steel. Cross braces are 16-gauge .75" round tubed steel and welded to legs using CO2 welding joints. Frame is secured to shell with 4 bolts that fasten into metal inserts on polypropylene seat. Frame has polypropylene ganging device built in & inserts for arms.

**Frame Finishes**

Frames are available in semi-gloss silver or textured black powder-coat using baked on electrostatic process. Powder-coat is VOC free. (No Volatile Organic Compounds)

**Glides**

Non-marring nylon are 20mm x 42mm oval in black. Glides are secured into tubed frame with 21mm insert. Glides have concave stacking groves to provide a uniform fit when stacking. Optional felt tip glides available.

**Arms**

Arms have 12-gauge 15mm x 30mm oval tubed steel that's flared outward to provide a 22" distance between right and left arms and allow for stacking. Arm is 39" from floor; 8.5" from seat. Arm cap is cushioned polyurethane contoured pad (11"D x 2"W x 1"H). Arm is secured into frame with two 10mm round solid steel rods and tightened with Allen key bolt. CT2300 does not offer arms.



### **Sustainability**

All Kool products are Indoor Air Quality Gold Certified through Intertek. See full sustainability story at <https://www.kfistudios.com/Literature/Environmental>

### **Polypropylene**

5-10% Pre-Consumer Recycled Content.

### **Frames**

10% Pre-Consumer Recycled Content. VOC free powder-coating process.

### **Foam**

100% Recyclable. CertiPUR-US certified - no ozone depleters, no mercury, lead, formaldehyde or phthalates. Low VOC (Volatile Organic compound) emissions for indoor air quality.

### **Glides/Casters**

5-10% Pre-Consumer Recycled Content.

### **Hardware**

10% Pre-Consumer Recycled Content.

### **Carton/Packaging**

20% Pre-Consumer Recycled Content.

### **Weight Ratings**

ANSI-BIFMA up to 400 lbs.



### Seat and Back

Available in 11 poly colors. Injection molded pure virgin polypropylene seat and back. Back is 15mm at thickest point, perforated and contoured for comfort; back has 2 poly 97mm x 64mm x 8mm inserts that slot into steel frame & secured with 4 steel screws. Seat is 13mm thick; seat is applied to frame with 4 metal inserts on seat bolted to the steel frame. Polypropylene is textured. Stacks 15 high with and without arms.

### Optional Upholstery

Foam is .5" thick, 1.8# with a 60ILD density. Foam is attached to polypropylene seat then upholstered over and stapled to seat. Nylon cover is applied to hide all staples and upholstery underneath seat. Upholstered seat is secured to frame with metal inserts and steel bolts.

### Frames

Legs are 12-gauge (15mm x 30mm) oval tubed steel. Cross braces are 16-gauge .75" round tubed steel and welded to legs using CO2 welding joints. Frame is secured to shell with 4 bolts that fasten into metal inserts on polypropylene seat. Frame has polypropylene ganging device built in & inserts for arms.

Task and Drafting stool chairs offer pneumatic cylinder lift with 360° swivel 5-star silver nylon base. Base has 5 black 2" dual-wheel hooded casters. Base is secured to 12-gauge 15mm x 30mm oval tubed steel frame with (10" x 18") 3mm steel plate welded to frame. Drafting stool has adjustable chrome foot ring. Polyurethane soft casters in black.

### Frame Finishes

Frames are available in semi-gloss silver powder-coat using baked on electrostatic process. Powder-coat is VOC free. (No Volatile Organic Compounds)

### Casters/Glides

2" black dual wheel hooded nylon casters are standard. Polyurethane soft casters or floor glides are available in black.

### Arms

Arms are right and left options with (10"D x 1.75" W) black nylon pad. Pad is secured to 12-gauge oval steel tube arm with an 89mm x 76mm x 7.5 steel silver plate on bottom. Arm is attached with 2 bolts secured into 3mm steel plate underneath the seat. Arms are easy to install and remove.



### **Sustainability**

All Kool products are Indoor Air Quality Gold Certified through Intertek. See full sustainability story at <https://www.kfistudios.com/Literature/Environmental>

### **Polypropylene**

5-10% Pre-Consumer Recycled Content.

### **Frames**

10% Pre-Consumer Recycled Content. VOC free powder-coating process.

### **Foam**

100% Recyclable. CertiPUR-US certified - no ozone depleters, no mercury, lead, formaldehyde or phthalates. Low VOC (Volatile Organic compound) emissions for indoor air quality.

### **Glides/Casters**

5-10% Pre-Consumer Recycled Content.

### **Hardware**

10% Pre-Consumer Recycled Content.

### **Carton/Packaging**

20% Pre-Consumer Recycled Content.

### **Weight Ratings**

All Kool are ANSI-BIFMA up to 300 lbs.



### Seat and Back

Available in 11 poly colors. Injection molded pure virgin polypropylene seat and back. Back is 15mm at thickest point, perforated and contoured for comfort; back has 2 poly 97mm x 64mm x 8mm inserts that slot into steel frame & secured with 4 steel screws. Seat is 13mm thick; seat is applied to frame with 4 metal inserts on seat bolted to the steel frame. Polypropylene is textured. Stacks 15 high with and without arms.

### Optional Upholstery

Foam is .5" thick, 1.8# with a 60ILD density. Foam is attached to polypropylene seat then upholstered over and stapled to seat. Nylon cover is applied to hide all staples and upholstery underneath seat. Upholstered seat is secured to frame with metal inserts and steel bolts.

### Frames

Seats pan has 10" X 18" 3mm steel plate welded to seat frame. Frame is attached with 3.25"W x 3"H "U" mounting brackets that secure around 1.5" x 3" 12-gauge steel beam with 4 bolts. Beam is secured with two 1.5" x 3" oval columns with "U" inserts. Legs at end of column are 12-gauge steel 20" x 2.75" x 1.25"H.

### Frame Finishes

Frames are available in semi-gloss silver powder-coat using baked on electrostatic process. Powder-coat is VOC free. (No Volatile Organic Compounds)

### Glides

2.5" round nylon adjustable glides.

### Arms

Arms for beam are universal (no left or right). Arm top is soft black polyurethane pad (12"D x 2"W x 1.25"H). Pad is attached to steel brace with two 12-gauge .75" round steel tubes welded to 6" x 3" oval "U" bracket. Bracket secures to 12-gauge 1.5" x 3" steel beam with 4 bolts. Arm height is 28" from floor; 9.5" from seat. Arm frame is finished in silver powder-coat.



### **Sustainability**

All Kool products are Indoor Air Quality Gold Certified through Intertek. See full sustainability story at <https://www.kfistudios.com/Literature/Environmental>

### **Polypropylene**

5-10% Pre-Consumer Recycled Content.

### **Frames**

10% Pre-Consumer Recycled Content. VOC free powder-coating process.

### **Foam**

100% Recyclable. CertiPUR-US certified - no ozone depleters, no mercury, lead, formaldehyde or phthalates. Low VOC (Volatile Organic compound) emissions for indoor air quality.

### **Glides/Casters**

5-10% Pre-Consumer Recycled Content.

### **Hardware**

10% Pre-Consumer Recycled Content.

### **Carton/Packaging**

20% Pre-Consumer Recycled Content.

### **Weight Ratings**

Each seat is warranted up to 400 lbs.